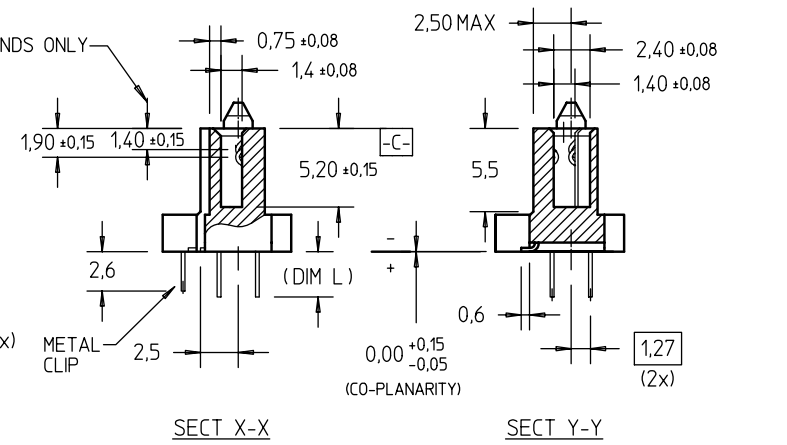
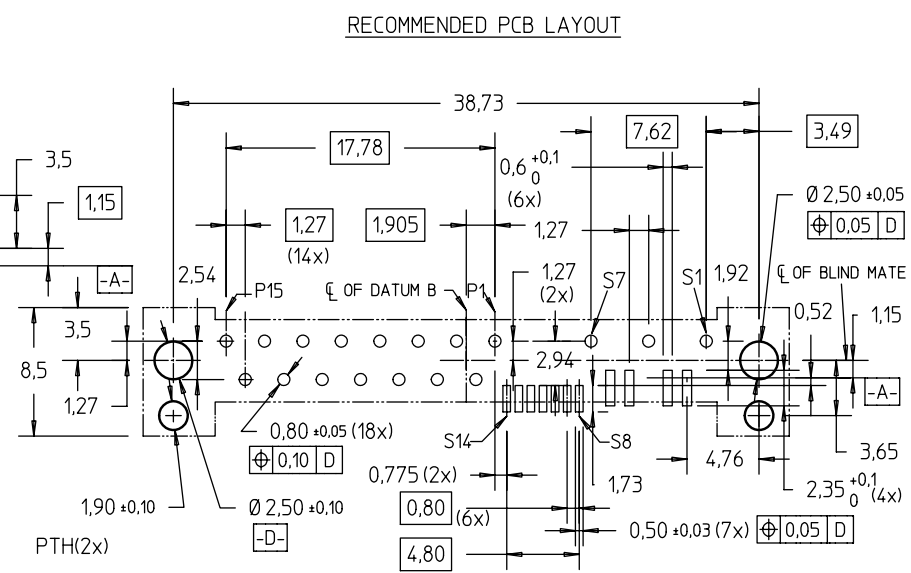
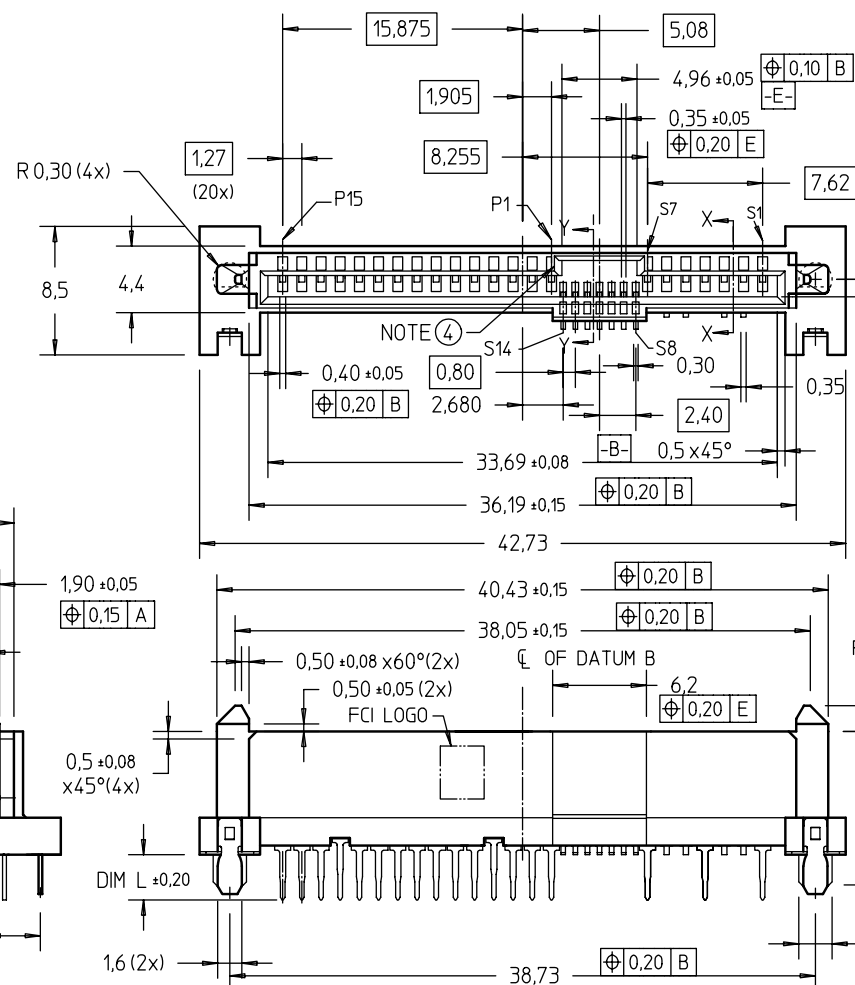


FCI CONFIDENTIAL



This document is the property of and embodies CONFIDENTIAL and PROPRIETARY information of FCI. No part of the information shown on this document may be used in any way or disclosed to others without the written consent of FCI.  
Copyright FCI

PRODUCT NO  
SEE TABLE



NOTES:

- 1 MATERIAL:
  - 1) HOUSING : HIGH TEMP TERMOPLASTIC, UL 94V-0
  - COLOR : BLACK
  - 2) TERMINAL : COPPER ALLOY
  - 3) HOLD DOWN : COPPER ALLOY
- 2 FINISH :
  - 1) TERMINAL : 30u" Au PLATING (CONTACT POINT) OVER 50u" NICKEL
  - 2) SOLDER TAIL : 50u" min Sn OVER 50u" NICKEL
  - 3) HOLD DOWN : 50u" min Sn OVER 50u" NICKEL
- 4) PER SFF REV 1.3

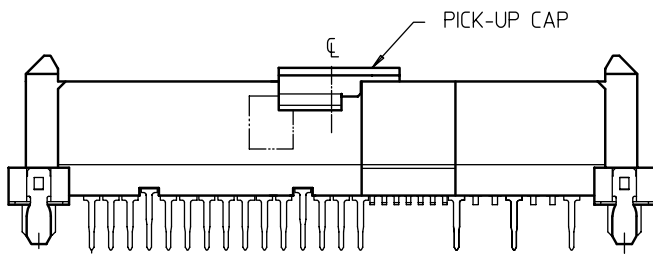
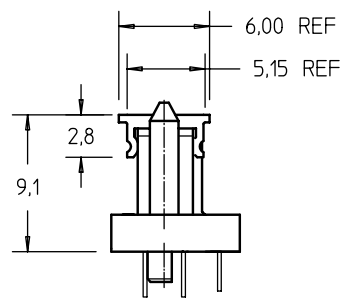
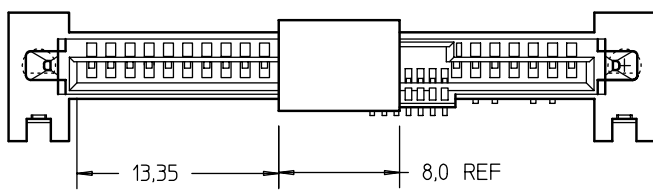
mat'l code		surface		tolerance		projection		product family	
		ISO 1302		ISO 406 ISO 1101		ISO 1101		SAS	
tr		ecn no		dr		date		title	
A		S05-0065		GLL		2005-03-01		SAS RECEPTACLE WIDE BASE HYBRID TYPE ASSY	
B		S05-0086		GLL		2005-03-17			
C		S05-0155		GLL		2005-05-30			
D		S06-0263		GLL		2006-08-03		dwg no	
E		S07-0051		GLL		2007-02-14		sheet 1 of 2	
				dr		GL L00		2005-02-23	
				enr		GL L00		2005-02-23	
				chr		GL L00		2007-02-14	
				appd		JOEY NG		2007-02-14	
sheet index		revision sheet		E		E		type	
				1		2		CUSTOMER Drawing	

FCI CONFIDENTIAL

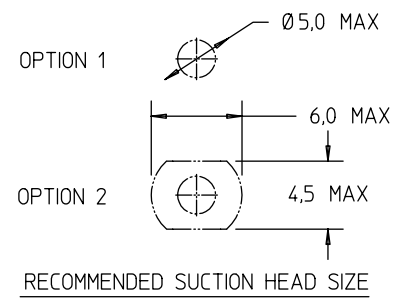


This document is the property of and embodies CONFIDENTIAL and PROPRIETARY information of FCI. No part of the information shown on this document may be used in any way or disclosed to others without the written consent of FCI. Copyright FCI.

PRODUCT NO	DIM L (SOLDER TAIL)	PICK-UP CAP	RECOMMENDED P.C. BOARD THICKNESS	PACKAGING
10036876-003LF	2,70	NO	1,57mm (0,062") / 2,36mm (0,093")	TRAY
10036876-003CLF		YES		TAPE & REEL
10036876-003C-TRLF		YES		TAPE & REEL
10036876-013LF	3,70	NO	2,36mm (0,093")	TRAY
10036876-013CLF		YES		TAPE & REEL
10036876-013C-TRLF		YES		TAPE & REEL



PART WITH PICK-UP CAP, SEE NOTE ⑤



NOTES

- ⑤ PART WITH PICK-UP CAP, P/N XXXXXXXX-XXXC LF
- ⑥ THE STD PACKAGING IS IN TRAY
- 7 FOR TAPE & REEL PACKAGING, SUFFIX "-TR" ADDED.  
P/N XXXXXXXX-XXXC -TR LF
- 8 THE HOUSING WILL WITHSTAND EXPOSURE TO 260°C PEAK TEMPERATURE FOR 10 SECONDS IN A CONVECTION, INFRA-RED OR VAPOR PHASE REFLOW OVEN.
- ⑨ THIS PRODUCT MEETS EUROPEAN UNION DIRECTIVES AND OTHER COUNTRY REGULATIONS AS DESCRIBED IN GS-22-008.
- ⑩ PART NUMBERS ENDING IN "LF" MEANS FOR NOTE 8 LEAD FREE IDENTIFICATION
  - (i) XXXXXXXX-XXXLF IS EQUIVALENT TO PREVIOUS P/N XXXXXXXX-XXX
  - (ii) XXXXXXXX-XXXCLF IS EQUIVALENT TO PREVIOUS P/N XXXXXXXX-XXXC

mat'l. code		surface ISO 1302		tolerance ISO 406 ISO 1101		projection		product family	
ltr		ecn no		dr		date		SAS	
E								title	
								SAS RECEPTACLE WIDE BASE HYBRID TYPE ASSY	
								scale 2:1	
								dwg no	
								sheet 2 of 2	
								size	
								A4	
								type	
								CUSTOMER Drawing	
sheet index		revision sheet		1					